



# AERO W

for large-format  
facades



+41 79 137 81 59  
[www.facade-textile.com](http://www.facade-textile.com)



# aero W

Aero W is a revamped, optimized and facade-oriented version of TSWO, FTI's best-selling facade profile since 2004.

Aero W is compatible with both Aero A/S sliding attachment concept, as well as with direct fixation systems.

Aero W takes advantage of the Aero line of profiles design-enabled features, such as the self-cleaning capabilities, preventing any plant particles and dust stagnation.

## A TRUE LARGE-FORMAT TENSILE FACADE

### ◆ Thermals :

Associated with Serge Ferrari's Frontside View 381 membrane, the textile facade blocks up to 78% of solar heat.

### ◆ Resistance :

Laboratory test results show a breakout resistance at up to 1.7 T ml. Therefore, Aero W brings an incredibly flexible solution to the market.

Many tensile facades have already successfully adopted this FTI solution in France and all over the world.

### ◆ Large-Format :

Aero W is the perfect solution to enable large covering solutions, by fixing it on an existing structure. Depending on the wind exposure, Aero W enables up to 60 m<sup>2</sup> tensioned frames.

## A SIMPLE CONSTRUCTIVE SYSTEM

### ◆ Technique :

With only 5 involved elements, including the membrane, you can efficiently bring to life some outstanding covering works.

FTI's tensioning system does not require any membrane sewing. From the membrane to the frame, there's only one step !

The high frequency sealing process for large membranes is taken care of by our specialized partners, before the on-site installation.

Aero W is compatible with sliding M12 square nuts, thanks to its technical channel, but it also allows for direct fixation on any existing structure.

### ◆ Tooling :

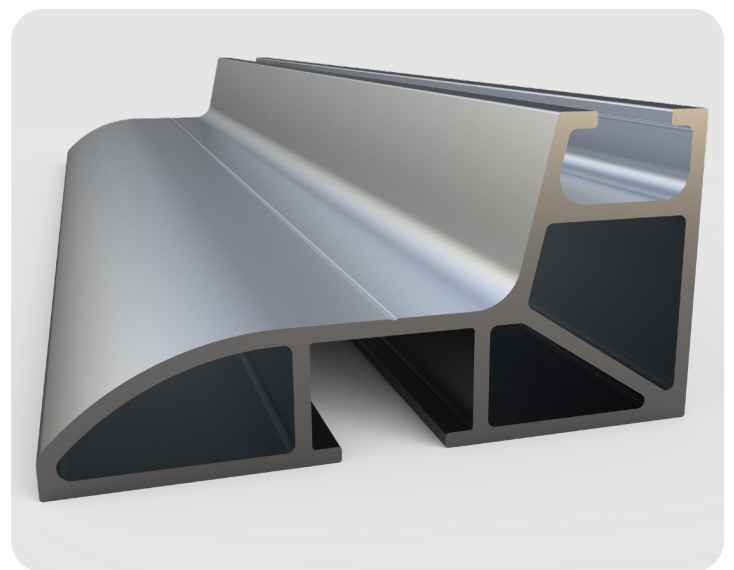
Soft-impact Mallet + FTI tightening tool + Basic Tooling.

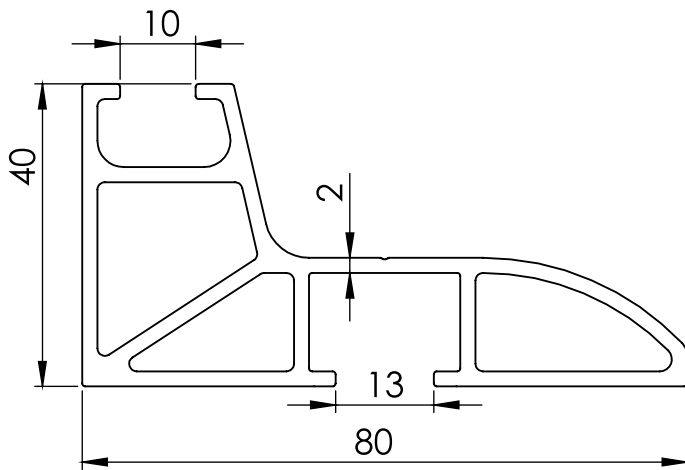
## A LIGHTWEIGHT AND AESTHETICALLY-PLEASING FACADE

### ◆ Superior finishing quality :

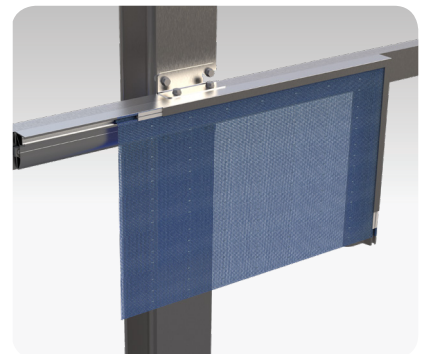
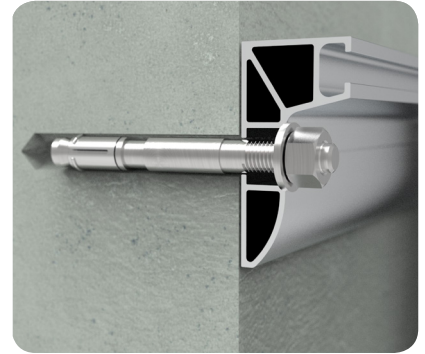
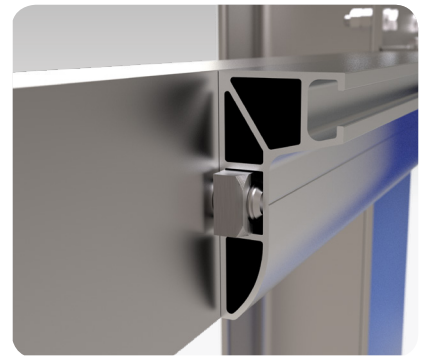
Aero W brings to life incredibly large tensile covering solutions, without aesthetical compromises.

In addition, its dust-proof design and self-cleaning capabilities, make it a very appealing sustainable solution.





Scale 1:1



CHARACTERISTICS

<b>Width</b>	80 mm
<b>Thickness</b>	40 mm
<b>Weight</b>	1479g/m
<b>Maximum Surface</b>	60 m <sup>2</sup>
<b>Inertia</b>	Lxx = 393439.41 Lxy = 0.00 Lxz = 0.00 Lyx = 0.00 Lyy = 71064.94 Lyz = 61292.82 Lzx = 0.00 Lzy = 61292.82 Lzz = 322374.47
<b>Surface Treatment</b>	Anodized 15μ / Natural Alu / Powder Coating
<b>Bars Length</b>	2650 mm or 5300 mm
<b>Sold with</b>	Gripp PVC + Key



WIND RESISTANCE  
160 Km/h



100% RECYCLABLE



TEARING 1,7T/lm



SURFACE 60 m<sup>2</sup>/frame



COVERING



PATENTED SYSTEM